

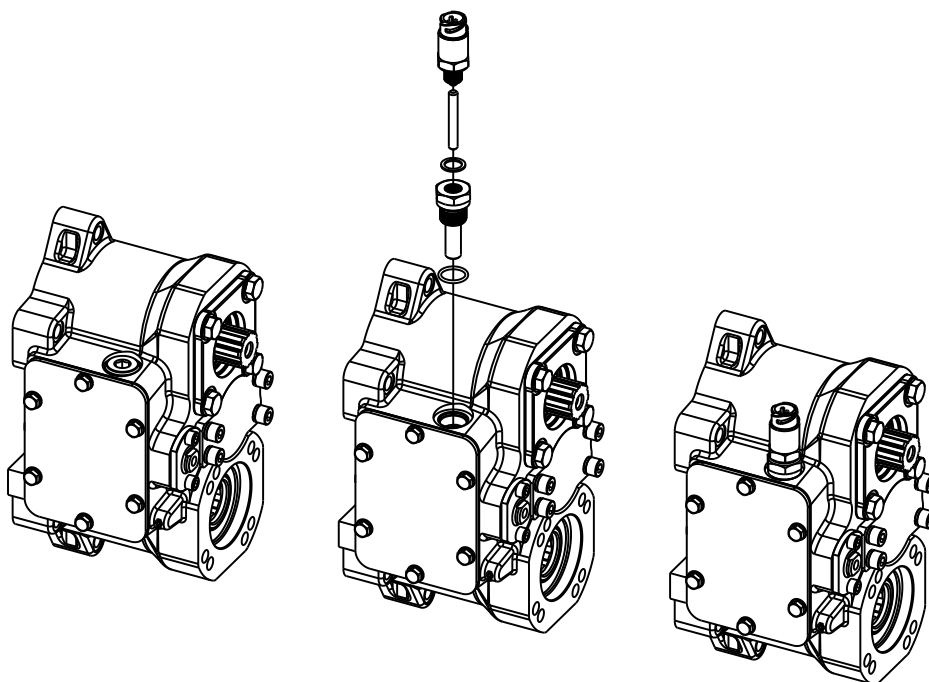
ISTRUZIONI DI MONTAGGIO INTERRUTTORE A PUNTALE PRESSURE SIGNAL SWITCHES' MOUNTING INSTRUCTIONS

CODICE KIT
KIT CODE

31100213405

PTO

HIGH POWER



pag.1

O.M.F.B. S.p.A. Hydraulic Components

We reserve the right to make any changes without notice.
Edition 2005.11 No reproduction, however partial, is permitted.
Via Cave, 7/9 25050 Provaglio d'Iseo (Brescia) Italy
Tel.: +39.030.9830611 Fax: +39.030.9839207-208
Internet:www.omfb.it e-mail:info@omfb.it

OMFB

HYDRAULIC COMPONENTS

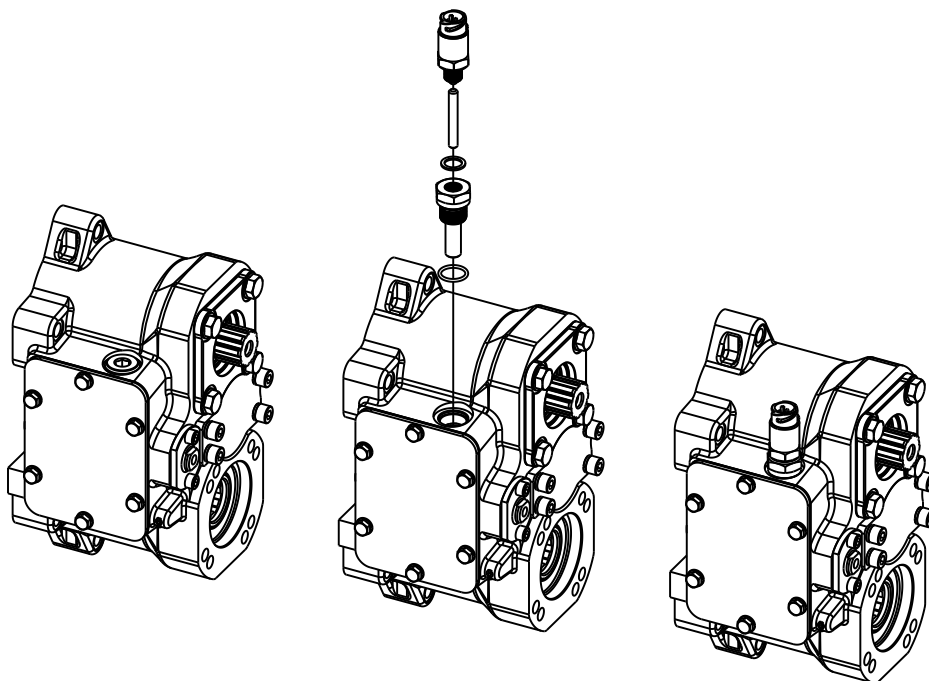
ISTRUZIONI DI MONTAGGIO INTERRUTTORE A PUNTALE PRESSURE SIGNAL SWITCHES' MOUNTING INSTRUCTIONS

CODICE KIT
KIT CODE

31100213405

PTO

HIGH POWER



pag.1

O.M.F.B. S.p.A. Hydraulic Components

We reserve the right to make any changes without notice.
Edition 2005.11 No reproduction, however partial, is permitted.
Via Cave, 7/9 25050 Provaglio d'Iseo (Brescia) Italy
Tel.: +39.030.9830611 Fax: +39.030.9839207-208
Internet:www.omfb.it e-mail:info@omfb.it

OMFB

HYDRAULIC COMPONENTS