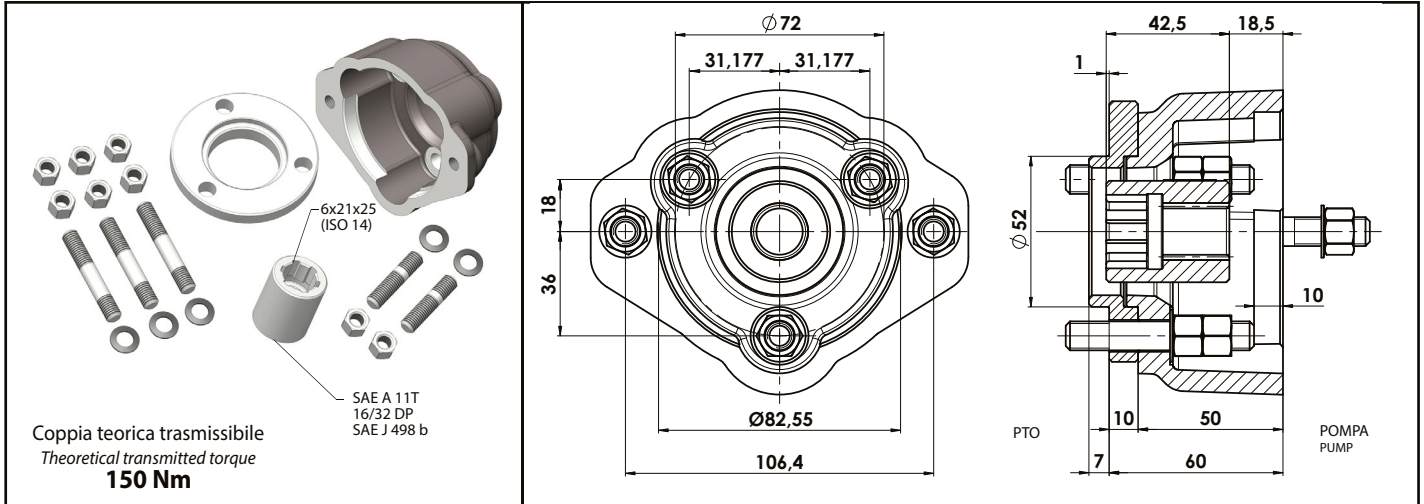


APPLICAZIONI PTO/POMPA PTO/PUMP ADAPTORS

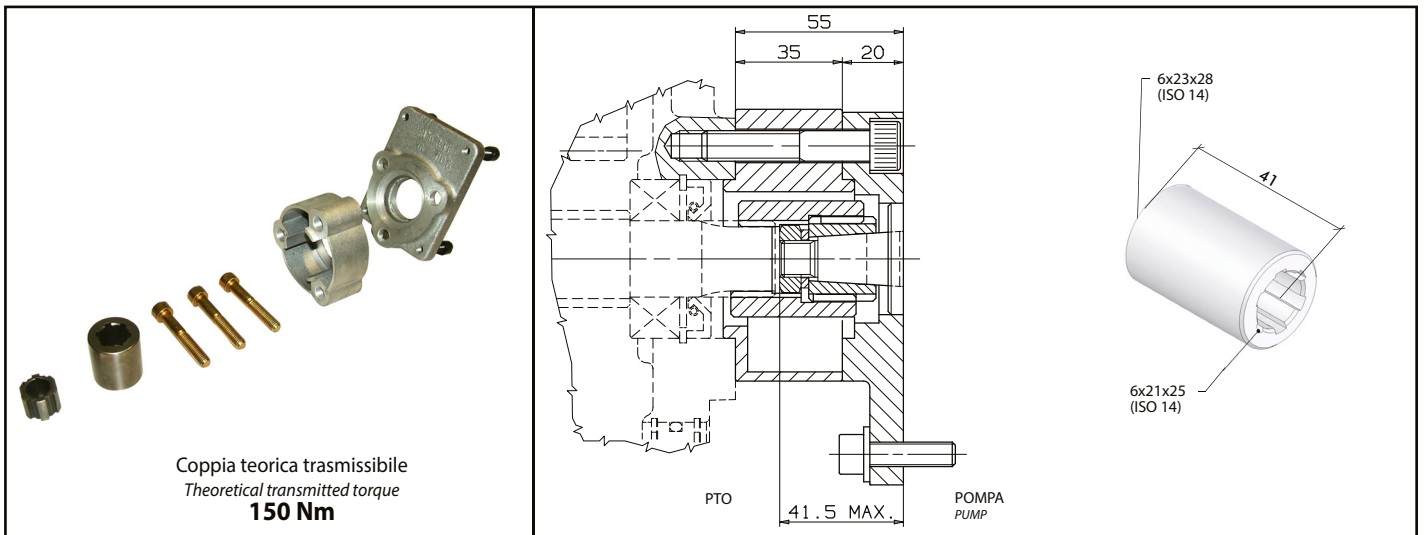
1140000866

Applicazione PTO UNI / POMPA SAE A - Z11 - Adaptor UNI PTO / SAE A PUMP - Z11



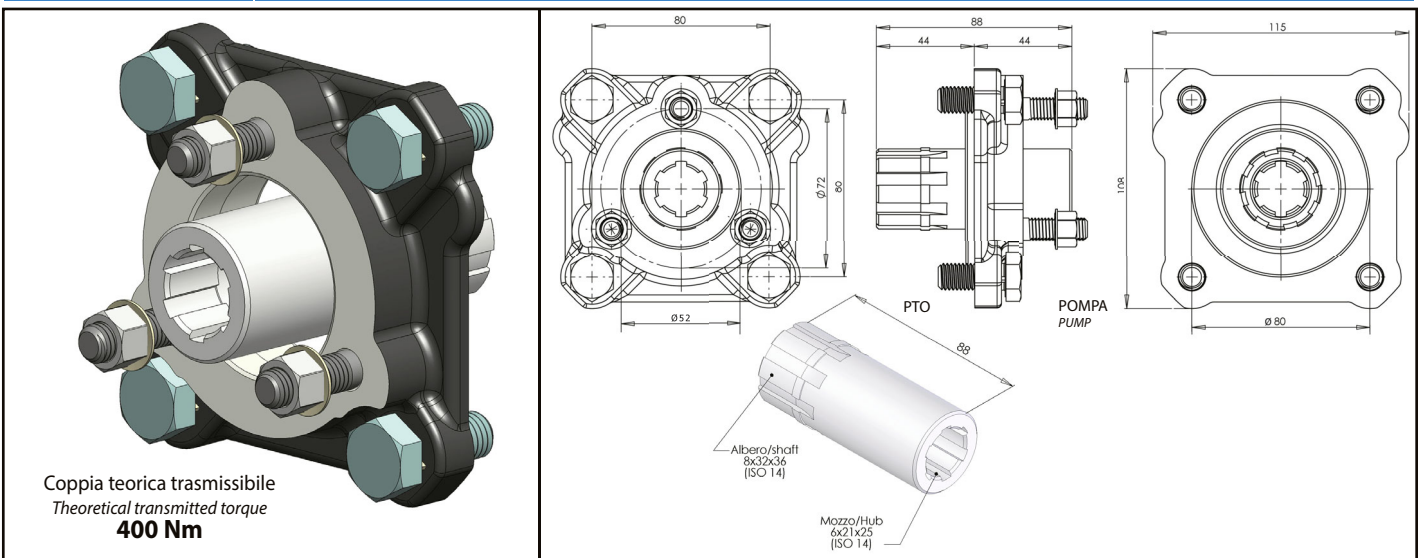
1140000599

Applicazione PTO UNI / POMPA 2P - Adaptor UNI PTO / 2P PUMP



1140000071

Applicazione PTO ISO / POMPA UNI - Adaptor ISO 4-hole PTO / UNI 3-hole PUMP



07/03/2022

Codice foglio: 99711411701 Rev: AV

pag.3



O.M.F.B. S.p.A. Hydraulic Components
We reserve the right to make any changes without notice.
Edition 2021.02 No reproduction, however partial, is permitted.
Via Cave, 7/9 25050 Provaglio d'Iseo (Brescia) Italy Tel.: +39.030.9830611
Fax: +39.030.9839207-208 Internet: www.omfb.it e-mail: contattii@omfb.it

**COMPANY WITH
QUALITY SYSTEM
CERTIFIED BY DNV GL
= ISO 9001:2015 =**